

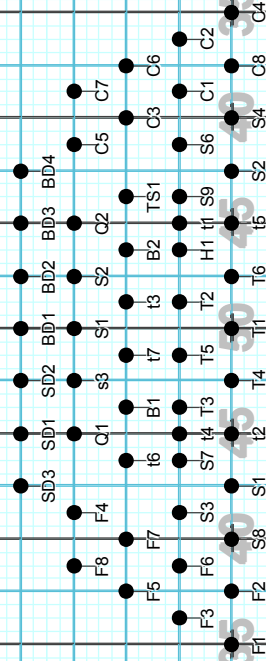
"Long Train Runnin"

pg. 1

32cts.

m. 1-8

1. All MT 16
2. All FM 16 to pg. 2



"Long Train Runnin"

pg.2

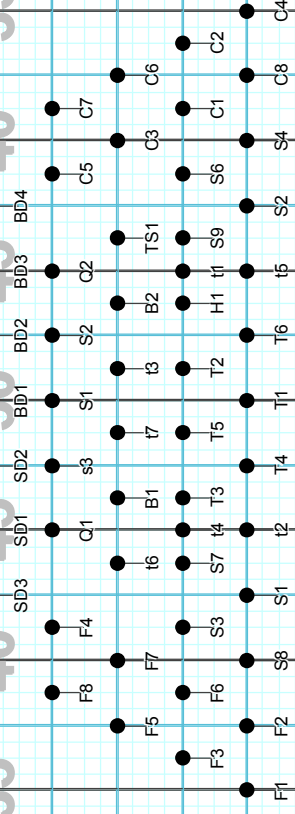
8 cfs.

m.9-10

1. Either FM 4, MT 4 or MT 8 to pg. 3.

15 20 25 30 35 40 45 50 55 60 65 70 75 80 85 90 95 100

15 20 25 30 35 40 45 50 55 60 65 70 75 80 85 90 95 100



"Long Train Runnin"

pg.3

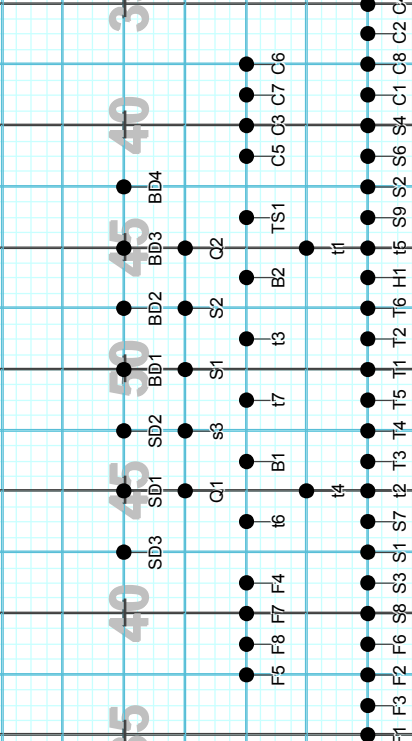
8cts.

m.11-12

1. All AS 8 to pg. 4

5 10 15 20 25 30 35 40 45 50

10 15 20 25 30 35 40 45 50



Director Viewpoint

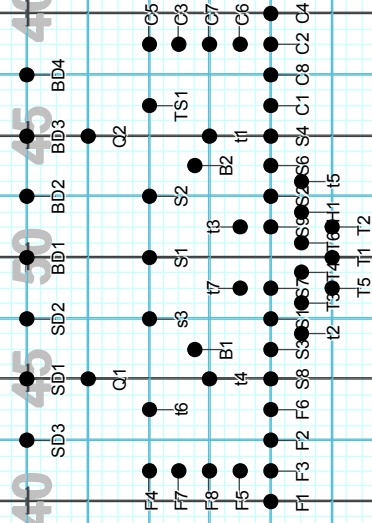
"Long Train Runnin"

pg.4

16cts.

m.13-16

1. All MT 8
2. All AS 8 to pg. 5



Director Viewpoint

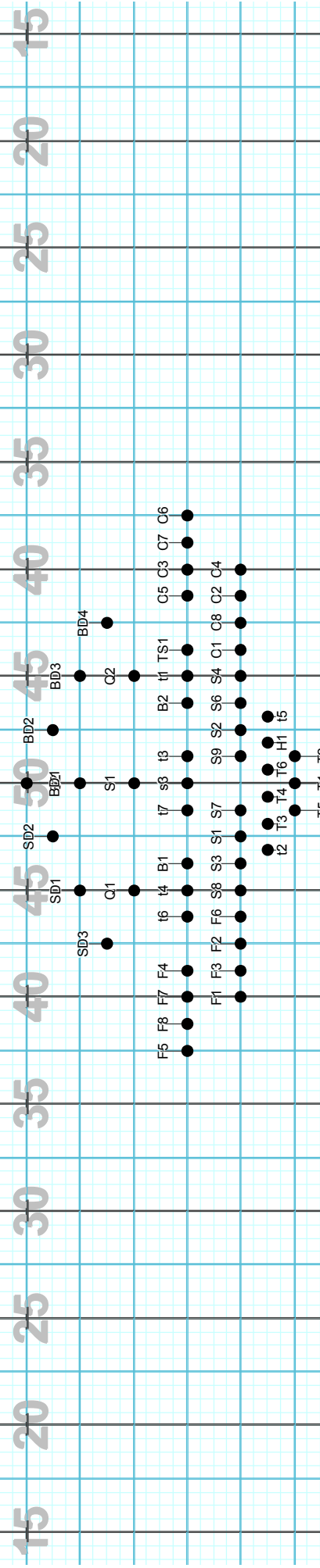
"Long Train Runnin"

pg. 5

cts. 24

m. 17-22

1. All MT 16
2. All AS 8 to pg. 6



Director Viewpoint

"Long Train Runnin"

pg. 6

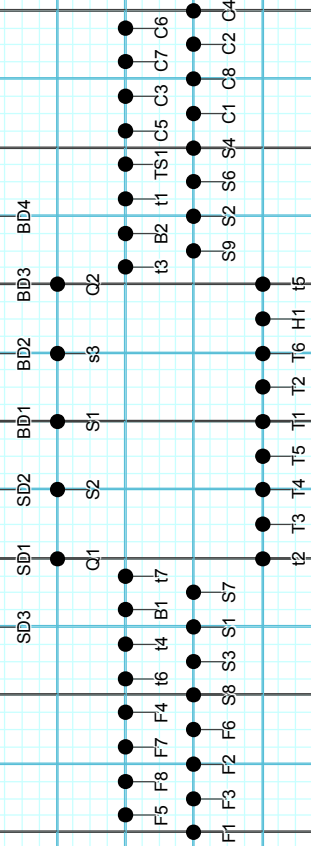
cts. 8

m. 23-24

1. All AS 8 to pg. 7  
(Tubas will offset 2 steps, backwards march 4 steps  
, reset 2 steps to avoid collision)

15 20 25 30 35 40 45 50 55 60 65 70 75 80 85

15 20 25 30 35 40 45 50 55 60 65 70 75 80 85



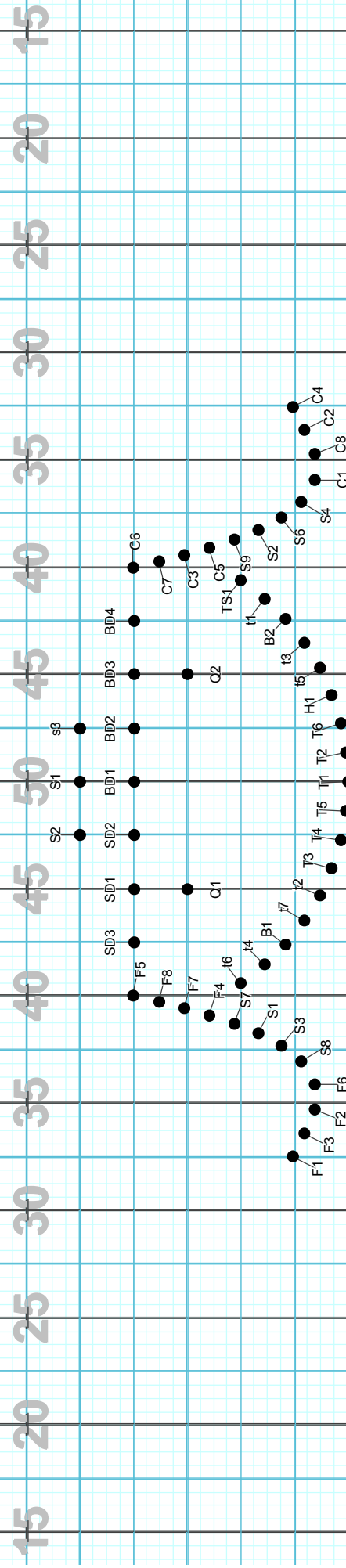
"Long Train Runnin"

pg. 7

cts.16

m. 25-28

1. All MT 8
2. All AS 8 to pg. 8 (place)



Director Viewpoint

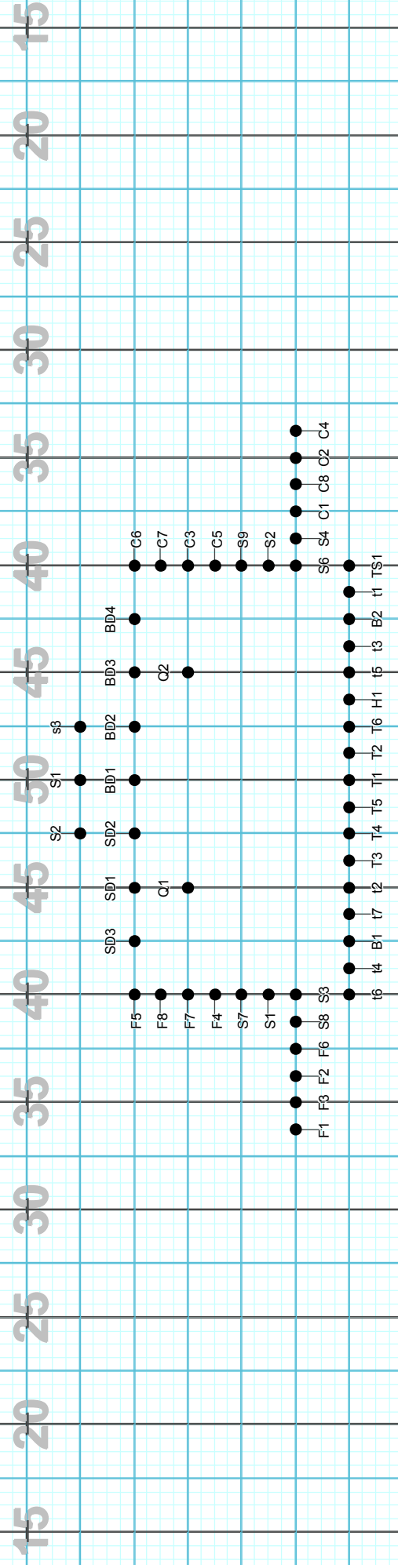
"Long Train Runnin"

pg. 8

cts. 40

m. 29-38

1. All HOLD 32
2. All AS 8 to pg. 9



Director Viewpoint

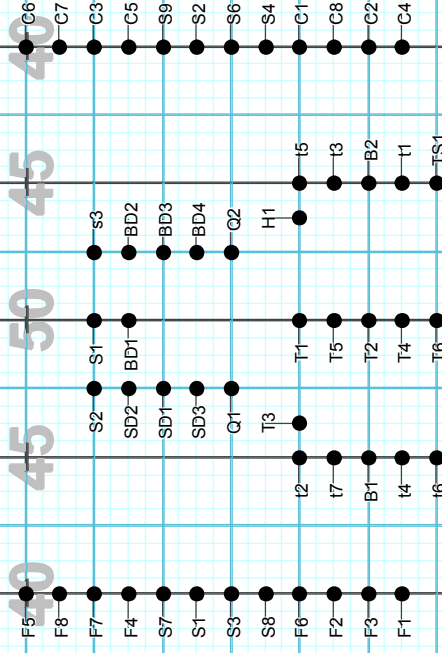
"Long Train Runnin"

pg. 9

cts. 8

m. 39-40

1. All drop-off 8 to pg. 10



Director Viewpoint

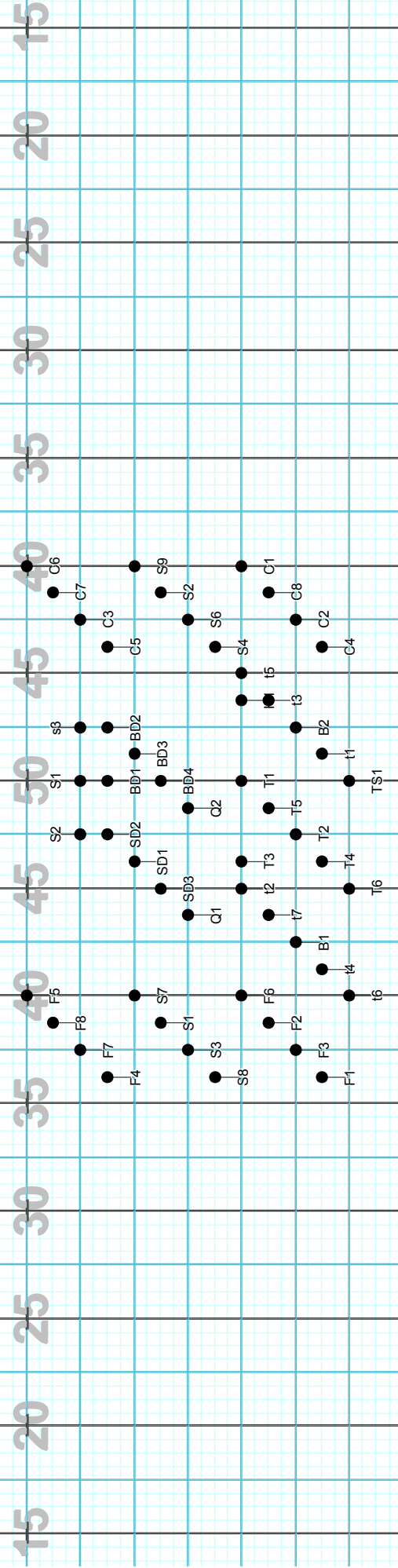
"Long Train Runnin"

pg. 10

cts. 16

m.41-44

1. All MT 8
2. All AS 8 to pg. 11



Director Viewpoint

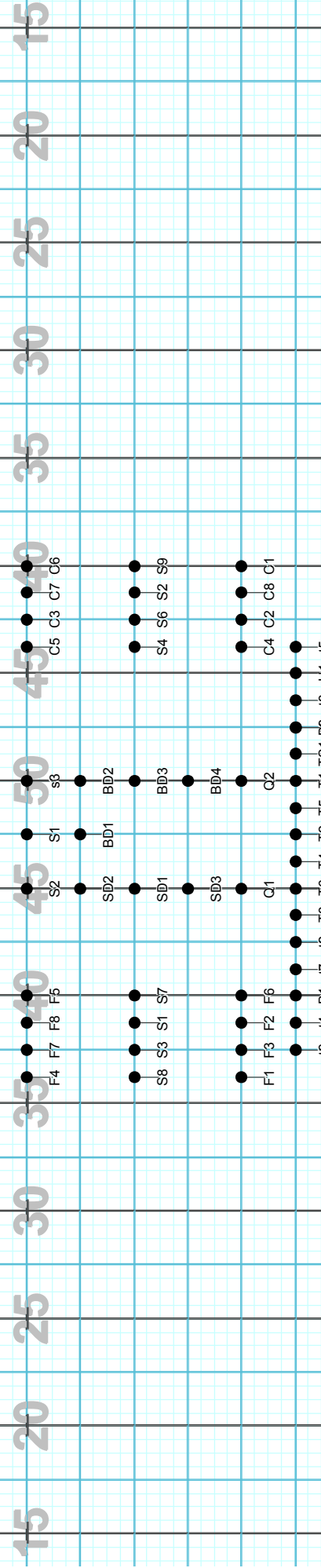
"Long Train Runnin"

pg. 11

24 cts.

m.45-50

1. All MT 16
2. All AS 8 to pg. 6



Director Viewpoint

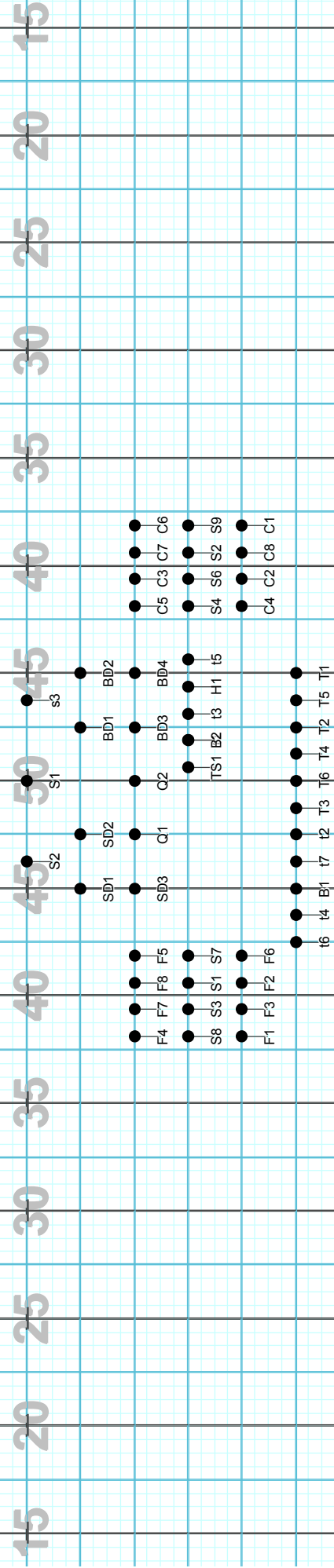
"Long Train Runnin"

pg. 12

cts. 8

m.51-52

1. All AS 8 to pg. 13 (place)



Director Viewpoint

"Long Train Runnin"

pg. 13

m.53-end

1. Hold

15 20 25 30 35 40 45 50 55

15 20 25 30 35 40 45 50 55

F4 F7 F8 F5  
 S8 S3 S1 S7  
 F1 F3 F2 F6

S2  
 SD1 SD2  
 SD3 Q1  
 t6 t4 B1 t7  
 S1  
 S3  
 BD1 BD2  
 Q2  
 BD3 BD4  
 t2 TS1 B2 t3 H1 t5  
 T3 T6 T4 T2 T5 T1

C5 C3 C7 C6  
 S4 S6 S2 S9  
 C4 C2 C8 C1

Director Viewpoint